

# MedLux® Ceiling GPI

## NON-MRI LED Graphic Panel Illuminator – 2x2

CATALOG#			TYPE
JOB NAME			
NOTES			

HIGHLIGHTS
<b>5-Year Limited Warranty</b>
<b>LED</b>
<b>Fully-Assembled Light Boxes</b>
<b>Dimmable</b> Only with MedLux Proprietary Dimming Systems Optional adder, NOT required for operation
<b>Easy to Install</b> Class 2 wiring, plug-and-play connections
<b>Designed for New Construction or Retrofit</b>
<b>Wide Selection of High-Quality Imagery</b>



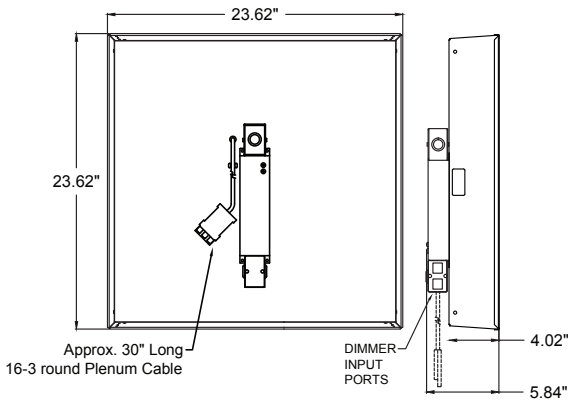
FIXTURE TYPE

### Comfort Viewing

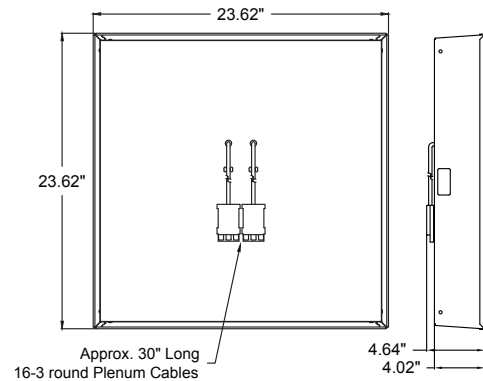
Please Note: fixtures are NOT intended for use as luminaires/task lighting

<p><b>INCLUDED</b></p> <ul style="list-style-type: none"> <li>MASTER LED Lightbox(es) with Integral Power Supply</li> <li>SATELLITE LED Lightbox(es) if applicable</li> <li>Graphic Panels</li> <li>Secondary Power Cable(s)</li> <li>Installation Diagram and Manual</li> </ul>	<p><b>NOT INCLUDED</b></p> <ul style="list-style-type: none"> <li>Ceiling Grid Components</li> <li>Decorative Trim/Molding</li> <li>MAINS Power Connection Components &amp; Switches</li> <li>Installation</li> </ul>
--	---

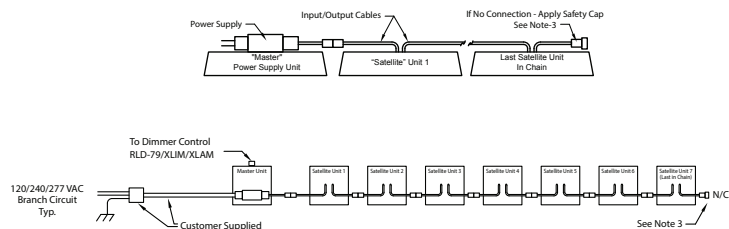
### MASTER 2X2 GPI WITH INTEGRAL POWER SUPPLY



### SATELLITE 2X2 GPI



Notes: 1. Dimensions are in inches 2. GPI units are not for use in Plenum ceilings 3. GPI units are built to UL-48 specifications



Maximum GPI 2X2 Circuit = 88W  
1 - "MASTER" Power Supply Unit  
7 - "SATELLITE" Light Units  
Power Supply Input = 0.74A @ 120VAC

- Notes:
1. Must be grounded or bonded per National Electric Code and all local electric codes.
  2. Do not connect more than specified number of GPI units listed.
  3. Remove safety cap, GPI-404, supplied with master GPI and re-install on GPI connector at end of GPI circuit.
  4. Yellow connector of power supply provides 48VDC to blue connector of "satellite" lighting units.
  5. See sheet 2 "Non-MRI LED Graphic Panel Illuminator - power supply, wiring and dimmer option".
  6. N/C = no connection.
  7. MedLux LED Ceiling Graphic Panel Illuminators (GPI) for indoor use and installation only.

### LIGHTBOX SPECIFICATIONS

**CONSTRUCTION:** Single piece construction consists of 0.04" thick fabricated aluminum with riveted seams. Leading edge of return is hemmed in order to made rigid and straight. Hems also provide a smooth, rolled surface, which prevents scratching of graphic panels. All inner and outer surfaces receive a durable, reflective white powder coat finish.

**DIMENSIONS - Master:** 23.62" x 23.62" x 5.84", **Satellite:** 23.62" x 23.62" x 4.64"

**CEILING CLEARANCE:** 6.5" Minimum clearance required for non-MRI systems

**WEIGHT - Master:** 8.75 lb, **Satellite:** 6.35 lb (both weights exclude graphic panel) Suspension ceiling installation requirements vary. Consult with your local building authority for code compliance.

**LIGHT SOURCE:** White high-power Nichia LEDs. 80,000 hours useful life/ 50,000 L70

**LUMINANCE:** (surface brightness) 1500 Lux (+/- 10%) Measurements taken from translucent white acrylic panel. Lux levels will vary depending on graphic image used.

**COLOR TEMPERATURE:** 5000°K (+/- 600°K)

**GRAPHIC PANELS:** 23.75" x 23.75" x 1/8" each - Duratrans/transparencies mounted first surface to 1/8" milk plex with gloss laminate

**ELECTRICAL - Master:** GPI includes integral power supply. **Satellite:** GPI obtains power from the Master. One (1) Master will power up to seven (7) Satellites.

**INPUT VOLTAGE -** Master: 100-277VAC 50/60 Hz      Satellite: 48 Volts DC

**INPUT CURRENT -** Master: 1.4 Amps max.      Satellite: 0.22 Amps

**INPUT POWER -** Master: 140 Watts max.      Satellite: 11 Watts

**DIMMABLE:** Optional ADDER. Dimming is not required for operation, however, MedLux GPI fixtures are not compatible with any other type of wall dimmer. Dimmer Control Keypad mounts in standard wall box with minimum 3" depth. Class 2 low voltage, easy plug-in type connections. Smooth dynamic operation without change in color temperature throughout the dimming range.

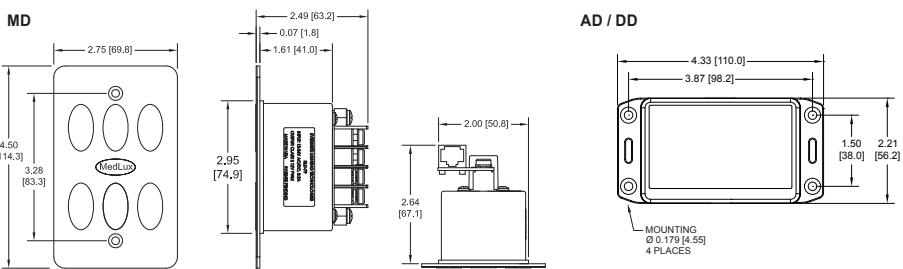
**SAFETY AGENCY LISTING:** File No. E6733 Vol. 1 Sec. 75 USL/CUL per UL48; CSA C22.2 No. 207

**DIMMING CONTROLS**

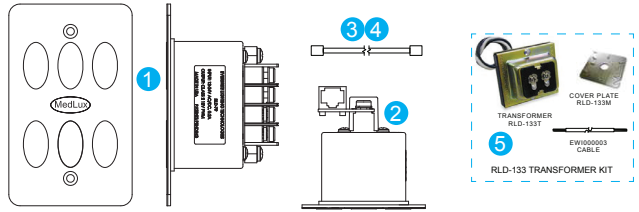
Each keypad controls a single zone of up to 50 - 2x2s.  
Each zone requires a separate dimmer.

MedLux® GPI fixtures will not interface with a 3rd party dimming control without the use of our proprietary XLIM or XLAM module. A separate module is required for each dimming zone.

3-Way dimming is not currently available.

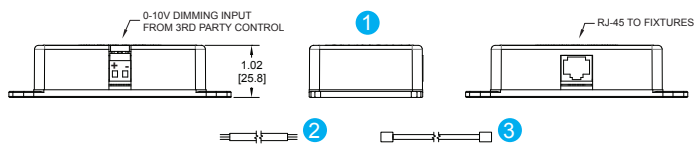


**MD: MEDLUX® DIMMER KIT RLD-179**



DIMMER KIT CONTENTS			
ITEM#	PART#	DESCRIPTION	QTY
1	RLD-79	Dimmer Assembly	1
2	RLD-75	TB Mount RJ-45 PCB	1
3	RLD-37	Patch Cable, RJ-45, 25FT	1
4	RLD-36-10	Patch Cable, RJ-45, 10FT (XX-MASTER GPIs minus 1)	XX
5	RLD-133	Transformer Kit, 16VAC	1
[1] RLD-133T Transformer/[1] EWI000003 Cable, 15FT/[1] RLD-133M Cover Plate			

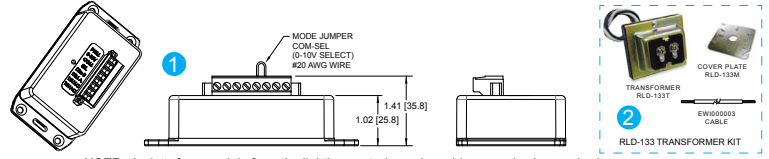
**AD: ANALOG DIMMER KIT RLD-192 (XLAM ANALOG DIMMING INTERFACE)** Compatible with 4-wire 0-10V dimmers ONLY!



DIMMER KIT CONTENTS			
ITEM#	PART#	DESCRIPTION	QTY
1	RLD-182	XLAM Dimmer Interface Assembly*	1
2	EWI000003	Cable, Dimming Input, 15FT**	1
3	RLD-37	Patch Cable, RJ-45, 25FT	1

\* Operating power is supplied by MASTER GPI via RJ-45 cable  
\*\* Dimming input cable supplied for use with 3rd party control

**DD: XLIM DIGITAL DIMMER KIT (Dimmer Control Keypad)** Compatible with most 0-10V, PWM, or DSCI (Digital Serial Communications Interface) devices



DIMMER KIT CONTENTS			
ITEM#	PART#	DESCRIPTION	QTY
1	RLD-183	XLIM Dimmer Interface Assembly	1
2	RLD-133	Transformer Kit, 16VAC	1
[1] RLD-133T Transformer/[1] EWI000003 Cable, 15FT/[1] RLD-133M Cover Plate			

NOTE: An interface module from the lighting control panel provider may also be required.

**ORDERING INFORMATION**

**A**

MODEL	SIZE	TOTAL GPIs	DIMMING CONTROLS	IMAGE
GC4SN	22	01 - 50	NN No Dimmer MD MedLux Dimmer AD Analog Dimmer (XLAM) 0-10V Input DD Digital Dimmer (XLIM)	X Without W WITH *W* requires Spec Sheet GSGRAPHICS22 accompany this sheet when submitted
			AD/DD: Lighting Control Panel MFG ▲	
			AD/DD: Lighting Control Panel Model# ▲	

**B**

Using "TOTAL GPIs" (A) - Find that number in the left-hand column below and write in the corresponding MASTER GPI count that appears to the right.

TOTAL GPIs (A)	MASTER GPIs
01 - 08	1
09 - 16	2
17 - 24	3
25 - 32	4
33 - 40	5
41 - 48	6
49 - 50	7

**C**

Again, using the "TOTAL GPIs" (A) - Find that number in the left-hand columns below and write in the corresponding SATELLITE GPI count that appears to the right. NOTE: MASTER GPIs (B) and SATELLITE GPIs (C) added together must equal TOTAL GPIs (A).

TOTAL GPIs (A)	SATELLITE GPIs		TOTAL GPIs (A)	SATELLITE GPIs				
01	00	15	13	30	26	45	39	
02	01	16	17	14	31	27	46	40
03	02	18	15	32-33	28	47	41	
04	03	19	16	34	29	48-49	42	
05	04	20	17	35	30	50	43	
06	05	21	18	36	31			
07	06	22	19	37	32			
08-09	07	23	20	38	33			
10	08	24-25	21	39	34			
11	09	26	22	40-41	35			
12	10	27	23	42	36			
13	11	28	24	43	37			
14	12	29	25	44	38			

**SAMPLE:** GC4SN 22 2 5 NN X - 4 2 1



Everbrite Lighting • 4949 South 110th Street  
 PO Box 20020 • Greenfield, WI 53220-0020  
 Phone: (800) 610-6053 • Fax: (414) 529-7191  
 email: [elt@everbrite.com](mailto:elt@everbrite.com) • [www.everbritelighting.com](http://www.everbritelighting.com)



Manufactured in USA. Meets the Buy American requirements under the ARRA.

LED MEDICAL LIGHTING TECHNOLOGY